

AC Feedthrough Capacitor

Feedthrough capacitor offer high attenuation to the wide range of frequency up to 1GHz available in various configurations like C, L, π and T with various mounting and terminations.

Features

- Very wide range in different mounting
- High contact reliability
- Easy to install

Applications

- Broadband interference suppression for Shielded rooms
- Telephone exchanges, base stations
- Electrical machines and systems
- UPS Power supplies



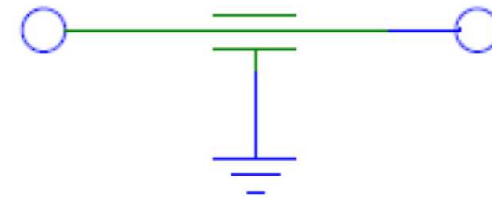
Approvals



Technical Specifications

Max. Operating Voltage	: 250 VAC, 50/60Hz
Rated Currents	: 6 to 300A @60°C
High Potential test voltage	: 3000 VDC line to case for 2 sec
Capacitance class	: Y2
Design Corresponding to	: IEC/EN 60384-14
Flammability corresponding to	: UL 94 V-2 or better
Temperature range	: -40°C to +100°C(40/100/21)
Enclosure/Finish/Potting	: Brass with Nickel plating/Epoxy
Operating Frequency	: DC to 60Hz

Circuit Diagram

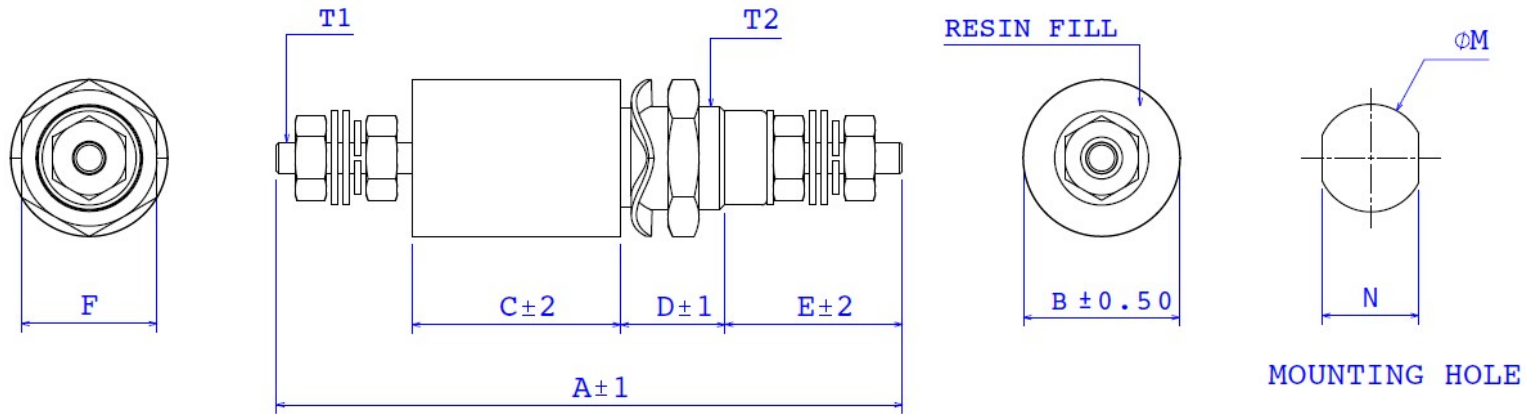


Selection Table

Ordering code	Current rating @60°C	Leakage Current* @250 VAC/50Hz (mA)	Capacitance (nF)	A	B	C	D	E	F	T1	T2	M	N
FTCAC-N0022-006A	6A	0.22	2.2	65	25	20	10	20	13	M3	M10	10.3	10.3
FTCAC-N0022-010A	10A			65	25	20	10	20	13	M3	M10	10.3	10.3
FTCAC-N0047-006A	6A	0.47	4.7	65	25	20	10	20	13	M3	M10	10.3	10.3
FTCAC-N0047-010A	10A			65	25	20	10	20	13	M3	M10	10.3	10.3
FTCAC-N0047-016A	16A			77	25	20	12	24	17	M4	M12	12.3	12.3
FTCAC-N0047-032A	32A			80	25	20	12	27	17	M5	M12	12.3	12.3
FTCAC-N0100-006A	6A			1	10nF	65	20	20	10	20	13	M3	M10
FTCAC-N0100-010A	10A	65	20			20	10	20	13	M3	M10	10.3	10.3
FTCAC-N0100-016A	16A	77	20			20	12	24	17	M4	M12	12.3	12.3
FTCAC-N0100-032A	32A	80	20			20	12	27	17	M5	M12	12.3	12.3
FTCAC-N0100-063A	63A	98	25			25	14	33	22	M6	M16	16.3	14.3
FTCAC-N0100-075A	75A	108	25			25	14	37	22	M8	M16	16.3	14.3
FTCAC-N0220-016A	16A	2.2	22nF	77	28	20	12	24	17	M4	M12	12.3	12.3
FTCAC-N0220-032A	32A			80	28	20	12	27	17	M5	M12	12.3	12.3
FTCAC-N0220-063A	63A			98	32	25	14	33	24	M6	M16	16.3	14.3
FTCAC-N0220-075A	75A			108	32	25	16	37	27	M8	M20	20.3	18.3
FTCAC-N0330-016A	16A	3.3	33nF	80	25	25	12	24	17	M4	M12	12.3	12.3
FTCAC-N0330-032A	32A			86	25	25	12	27	17	M5	M12	12.3	12.3
FTCAC-N0330-063A	63A			108	28	35	14	33	24	M6	M16	16.3	14.3
FTCAC-N0330-075A	75A			118	28	35	16	37	25	M8	M20	20.3	18.3
FTCAC-N0470-016A	16A	4.8	47nF	80	25	25	12	24	17	M4	M12	12.3	12.3
FTCAC-N0470-032A	32A			86	25	25	12	27	17	M5	M12	12.3	12.3
FTCAC-N0470-063A	63A			108	28	35	14	33	24	M6	M16	16.3	14.3
FTCAC-N0470-075A	75A			118	28	35	16	37	25	M8	M20	20.3	18.3
FTCAC-N0470-100A	100A			118	28	35	16	37	25	M8	M20	20.3	18.3
FTCAC-N1000-016A	16A	10	100nF	80	32	25	14	24	24	M4	M16	16.3	14.3
FTCAC-N1000-032A	32A			86	32	25	14	27	24	M5	M16	16.3	14.3
FTCAC-N1000-063A	63A			108	32	35	14	33	24	M6	M16	16.3	14.3
FTCAC-N1000-075A	75A			118	32	35	16	37	27	M8	M20	20.3	18.3
FTCAC-N1000-100A	100A			118	32	35	16	37	27	M8	M20	20.3	18.3
FTCAC-N1000-150A	150A			134	38	35	19	45	32	M10	M24	24.3	22.3
FTCAC-N1000-200A	200A			134	38	35	19	45	32	M10	M24	24.3	22.3
FTCAC-N1000-250A	250A			153	44	44	19	50	36	M12	M27	27.3	25.3
FTCAC-N1000-300A	300A			173	44	44	19	55	36	M16	M27	27.3	25.3
FTCAC-N2200-016A	16A	22	220nF	90	38	35	14	24	24	M4	M16	16.3	14.3
FTCAC-N2200-032A	32A			96	38	35	14	27	24	M5	M16	16.3	14.3
FTCAC-N2200-063A	63A			117	38	44	14	33	24	M6	M16	16.3	14.3
FTCAC-N2200-075A	75A			127	38	44	16	37	27	M8	M20	20.3	18.3
FTCAC-N2200-100A	100A			127	38	44	16	37	27	M8	M20	20.3	18.3
FTCAC-N2200-150A	150A			143	38	44	19	45	32	M10	M24	24.3	22.3
FTCAC-N2200-200A	200A			143	38	44	19	45	32	M10	M24	24.3	22.3

Ordering code	Current rating @60°C	LeakageCurrent* @250 VAC/50Hz (mA)	Capacitance (nF)	A	B	C	D	E	F	T1	T2	M	N
FTCAC-N2200-250A	250A	22	220nF	163	44	54	19	50	36	M12	M27	27.3	25.3
FTCAC-N2200-300A	300A			173	44	54	19	55	36	M16	M27	27.3	25.3
FTCAC-N4700-063A	63A	47	470nF	143	32	70	14	33	24	M6	M16	16.3	14.3
FTCAC-N4700-075A	75A			153	32	70	16	37	27	M8	M20	20.3	18.3
FTCAC-N4700-100A	100A			153	32	70	16	37	27	M8	M20	20.3	18.3
FTCAC-N4700-150A	150A			174	38	75	19	45	32	M10	M24	24.3	22.3
FTCAC-N4700-200A	200A			174	38	75	19	45	32	M10	M24	24.3	22.3
FTCAC-N4700-250A	250A			184	38	75	19	50	32	M12	M24	24.3	22.3
FTCAC-N4700-300A	300A			196	57	75	21	55	46	M16	M32	32.3	30.3
FTCAC-1000N-063A	63A			100	1000nF	143	38	70	14	33	24	M6	M16
FTCAC-1000N-075A	75A	153	38			70	16	37	27	M8	M20	20.3	18.3
FTCAC-1000N-100A	100A	153	38			70	16	37	27	M8	M20	20.3	18.3
FTCAC-1000N-150A	150A	174	38			75	19	45	32	M10	M24	24.3	22.3
FTCAC-1000N-200A	200A	174	38			75	19	45	32	M10	M24	24.3	22.3
FTCAC-1000N-250A	250A	184	38			75	19	50	32	M12	M24	24.3	22.3
FTCAC-1000N-300A	300A	196	57			75	21	55	46	M16	M32	32.3	30.3
FTCAC-2200N-063A	63A	220	2200nF			143	38	70	14	33	24	M6	M16
FTCAC-2200N-075A	75A			153	38	70	16	37	27	M8	M20	20.3	18.3
FTCAC-2200N-100A	100A			153	38	70	16	37	27	M8	M20	20.3	18.3
FTCAC-2200N-150A	150A			174	57	75	19	45	40	M10	M24	24.3	22.3
FTCAC-2200N-200A	200A			174	57	75	19	45	40	M10	M24	24.3	22.3
FTCAC-2200N-250A	250A			184	57	75	19	50	40	M12	M27	27.3	25.3
FTCAC-2200N-300A	300A			196	57	75	21	55	46	M16	M32	32.3	30.3
FTCAC-3300N-063A	63A			330	3300nF	145	57	70	16	33	27	M6	M20
FTCAC-3300N-075A	75A	153	57			70	16	37	27	M8	M20	20.3	18.3
FTCAC-3300N-100A	100A	153	57			70	16	37	27	M8	M20	20.3	18.3
FTCAC-3300N-150A	150A	174	57			75	19	45	40	M10	M24	24.3	22.3
FTCAC-3300N-200A	200A	174	57			75	19	45	40	M10	M24	24.3	22.3
FTCAC-3300N-250A	250A	184	57			75	19	50	40	M12	M27	27.3	25.3
FTCAC-3300N-300A	300A	196	57			75	21	55	46	M16	M32	32.3	30.3
FTCAC-4700N-063A	63A	470	4700nF			145	57	70	16	33	27	M6	M20
FTCAC-4700N-075A	75A			153	57	70	16	37	27	M8	M20	20.3	18.3
FTCAC-4700N-100A	100A			153	57	70	16	37	27	M8	M20	20.3	18.3
FTCAC-4700N-150A	150A			174	57	75	19	45	40	M10	M24	24.3	22.3
FTCAC-4700N-200A	200A			174	57	75	19	45	40	M10	M24	24.3	22.3
FTCAC-4700N-250A	250A			184	57	75	19	50	40	M12	M27	27.3	25.3
FTCAC-4700N-300A	300A			196	57	75	21	55	46	M16	M32	32.3	30.3

Mechanical Dimensions



Insertion Loss

Capacitance (nF)	Frequency(Hz)	0.03M	0.1M	1M	10M	100M	1G
2.2	Atten. dB	-	-	-	8	38	45
4.7		-	-	-	14	43	60
10		-	-	3	21	45	70
22		-	-	6	25	45	70
33		-	-	12	30	48	70
47			2	15	34	50	80
100		2	5	20	40	65	80
220		4	11	27	45	80	80
470		9	16	33	33	80	80
1000		15	22	40	42	80	80
2200		20	30	45	47	85	90
3300		30	40	50	52	85	90
4700		38	40	52	57	85	90