

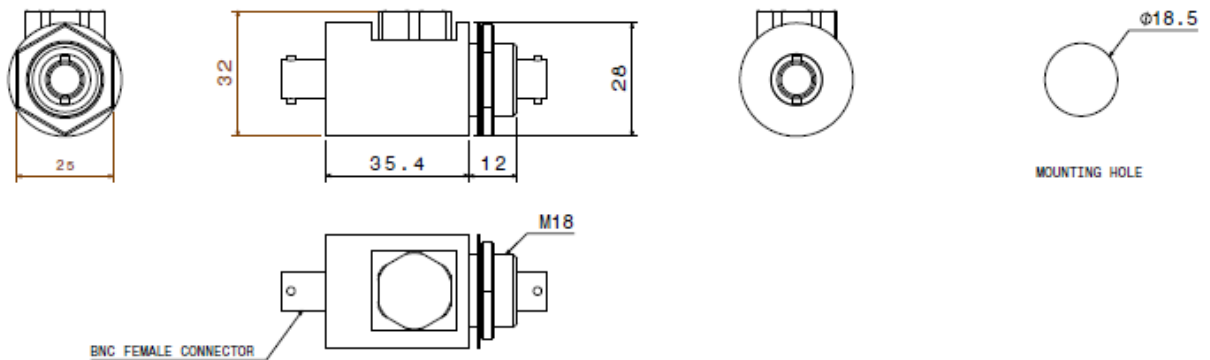
LIGHTNING CONNECTOR

BNC - BNC Type

TECHNICAL SPECIFICATIONS

Impedance	:	75 Ω
Input Connector	:	BNC (F)
Output Connector	:	BNC (F)
Max. Surge Current	:	20 kA, 8/20 μ s, Single Pulse
Lightning Impulse Current	:	2 kA, Single Pulse
Material	:	Aluminium
Dimensions	:	44 mm (L) X 28 mm (ϕ)
Weight	:	300gms (Approx)
Cut Out Hole	:	$\text{\O}18$

MECHANICAL DIAGRAM



Ordering Code: LCBNCBNCBELB

BEL PART NO.: Co-axial (75 Ohms) Filter

EMI Solutions Pvt. Ltd.

#237-A5, Bommasandra Industrial Area, Bangalore-560 099,
Marketing: +91 80 27836880, Email: marketing@emisindia.com

EMIS

Total solutions to EMI