

Description

Filter with additional differential mode rejection in low frequency. For use with switched mode power supplies to reduce noise from power supply back into the mains. Filter also provides good attenuation of incoming interference

Features

- Double stage filter
- Medical Version available
- High conducted attenuation performance
- Superior Performance
- Chassis mounting

Applications

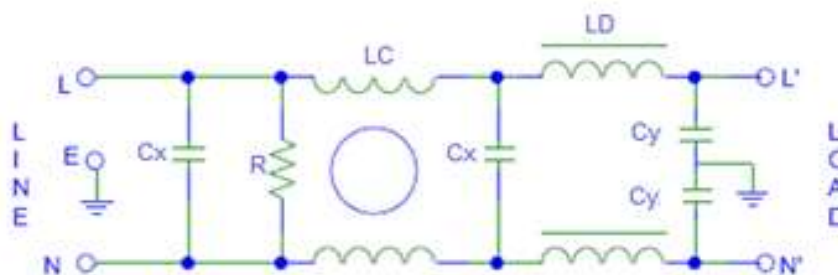
- Power Systems
- Electronic Equipment
- Frequency convertors
- SMPS
- Escalators



Approvals & Compliance



Typical circuit Diagram

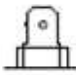



Technical Specifications

Maximum Continuous Operating Voltage	: 250VAC
Operating Frequency	: 50/60Hz
Current ratings	: 1A to 60A @40°C
High Potential test voltage	: L to G 2250Vdc for 1 Minute L to L 1450Vdc for 1 Minute
Overload Capability	: 135% of Rated current for 15 minutes
Design Corresponding to	: UL1283, CSA 22.2 No.8-13 and IEC 60939
Flammability corresponding to	: UL 94 V-0
Temperature range	: -25°C to +85°C
Climatic Category	: 25/85/21

Image shown above is just for reference

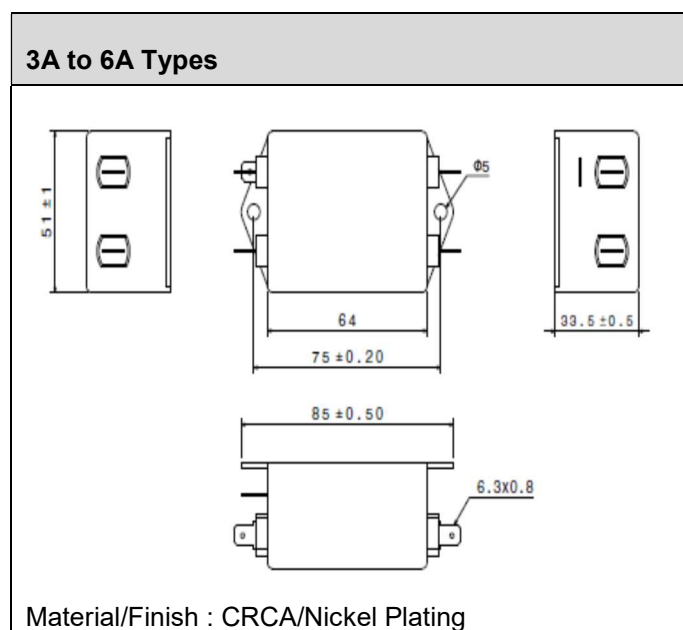
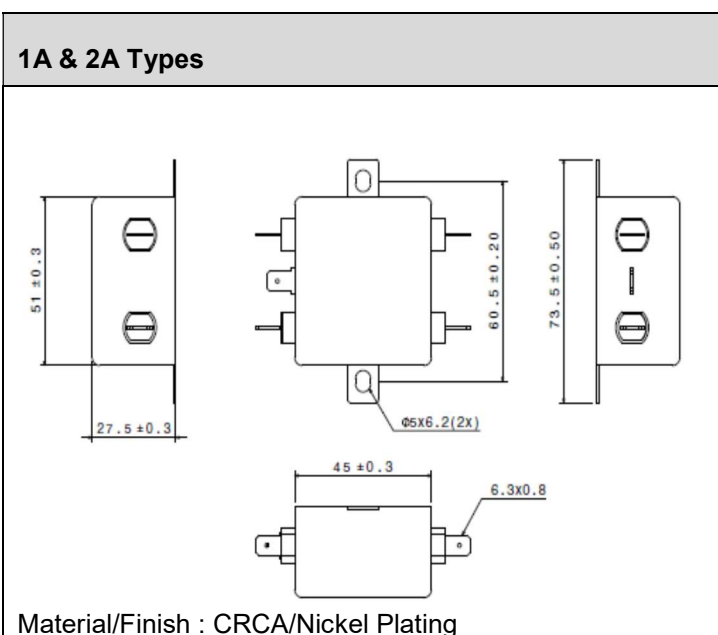
Selection Table

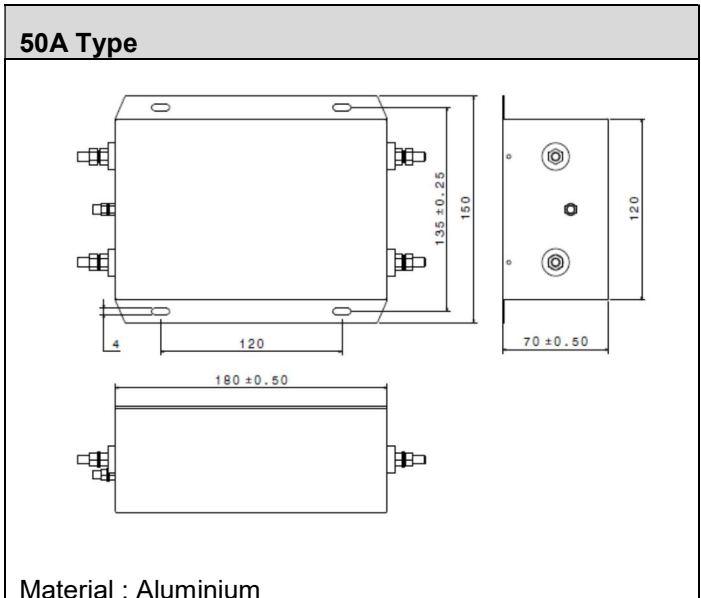
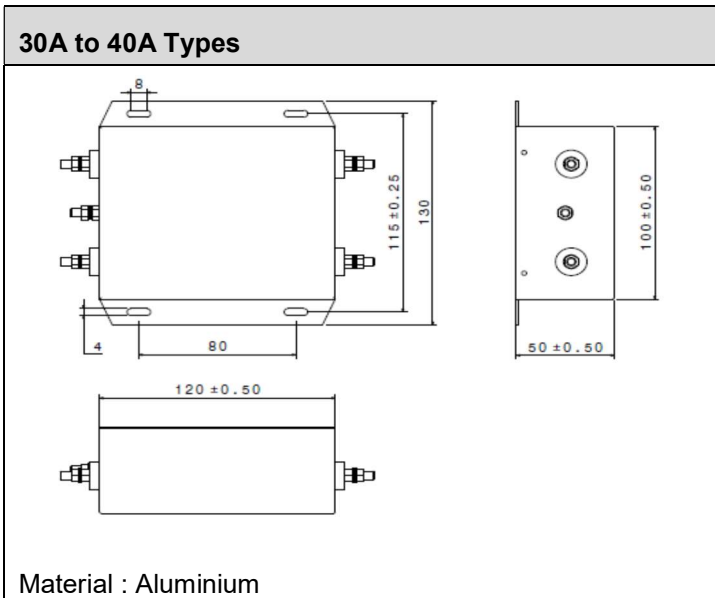
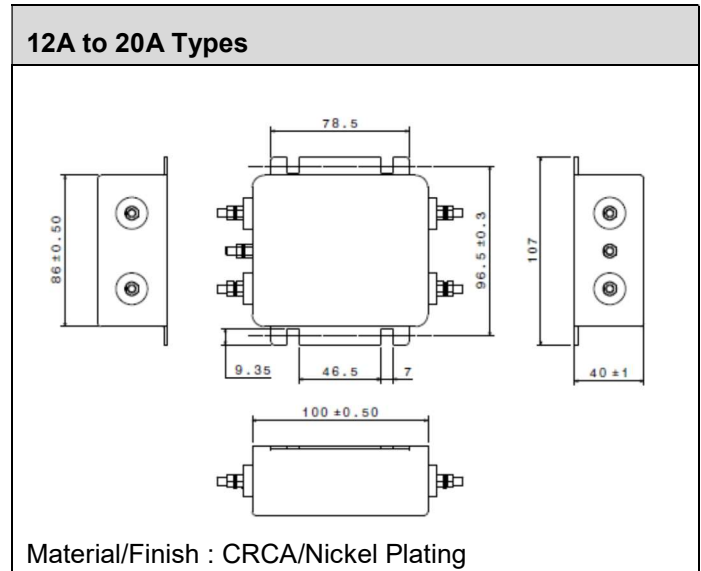
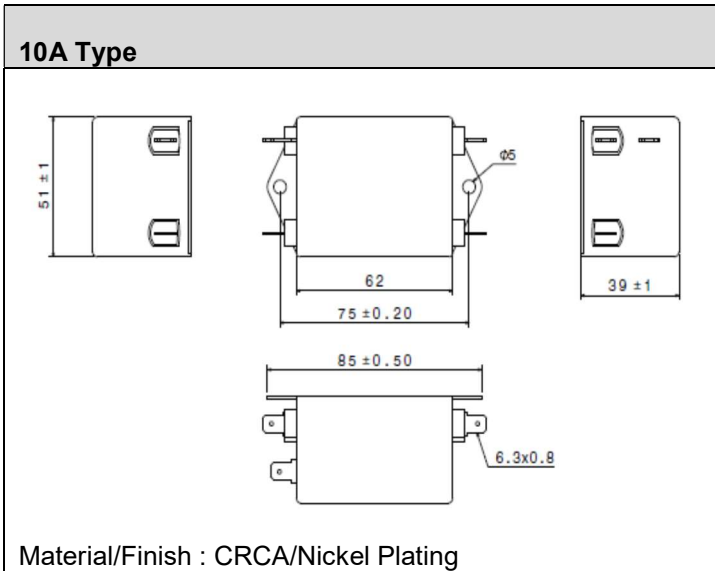
Part Number	Ordering Code	Rated Current @40°C	Leakage Current @250VAC/50Hz (mA)	Termination		Weight (Grams)
						
MF430 – 01	S430000001S	1A	0.34	6.3 x 0.8		125
MF430 – 02	S430000002S	2A	0.34	6.3 x 0.8		125
MF430 – 03	S430000003S	3A	0.34	6.3 x 0.8		165
MF430 - 06	S430000006S	6A	0.34	6.3 x 0.8		165
MF430 - 10	S430000010S	10A	0.34	6.3 x 0.8		260
MF430 - 12	S430000012S	12A*	0.34		M5 Screw	600
MF430 - 15	S430000015N	15A	0.34		M5 Screw	600
MF430 - 20	S430000020N	20A	0.74		M5 Screw	600
MF430 - 25	S430000025N	25A	0.74		M5 Screw	600
MF430 - 30	S430000030N	30A	0.74		M5 Screw	600
MF430 - 40	S430000040N	40A	0.74		M5 Screw	600
MF430 - 50	S430000050N	50A	0.74		M6 Screw	600
MF430 - 60	S430000060N	60A*	0.74		M6 Screw	600

Note: * Not covered under NEMKO

Note: Customized filters are provided on request.

Mechanical Drawing





Note:

Thread Size	M5	M6
Recommended Torque (Nm)	2-3	3.5-4

All dimensions in mm; Tolerances according: ISO2768-m

Insertion Loss – (Common Mode)

