

Data Sheet

Three Phase EMI Filter –Book Shelf Type MF423 3 2D BS



Description

These series range of three phase filters with book shelf design is designed for motor drive applications requiring minimum space and convenient installation with superior performance at significant interference levels.

Features

- 3 Phase filters for drives/invertors
- Compact/Light Weight/Cost Effective
- Bookshelf Design
- 7A to 150A Current rating

Applications

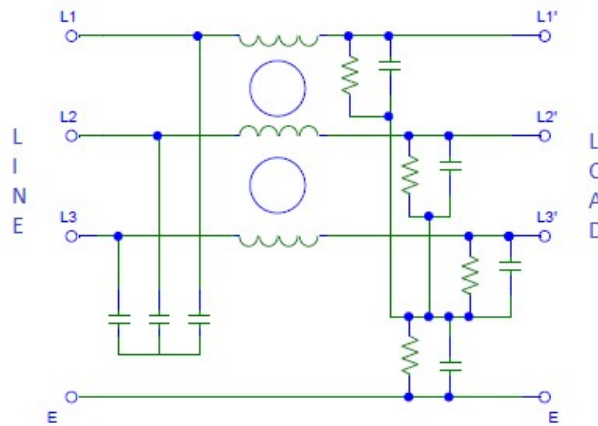
- AC/DC Drives
- Generator
- Wind Turbine
- Fuel Cells
- Elevators



Approvals & Compliance




Typical circuit Diagram



Technical Specifications

Maximum Continuous Operating Voltage	: 440/520VAC
Operating Frequency	: 50/60Hz
Current ratings	: 7A to 150A @40°C
High Potential test voltage	: L to G 2660Vdc for 1 Minute L to L 1950Vdc for 1 Minute
Overload Capability	: 135% of Rated current for 15 minutes
Design Corresponding to	: UL 60939-3, CSA 22.2 No.8-13 and IEC 60939
Flammability corresponding to	: UL 94 V-0
Temperature range	: -25°C to +85°C
Climatic Category	: 25/85/21
Enclosure Material	: Aluminium

Selection Table

Part Number	Ordering Code (for 440VAC)	Rated Current @40°C	Termination 	Weight (Kgs)
MF423 3 2D BS	S32DBS0007C	7A	41	0.7
MF423 3 2D BS	S32DBS0016C	16A	41	0.8
MF423 3 2D BS	S32DBS0030C	30A	41	0.8
MF423 3 2D BS	S32DBS0042C	42A	10	1.2
MF423 3 2D BS	S32DBS0055C	55A	10	2
MF423 3 2D BS	S32DBS0075C	75A	16	2
MF423 3 2D BS	S32DBS0100C	100A	25	3
MF423 3 2D BS	S32DBS0120C	120A	50	4
MF423 3 2D BS	S32DBS0150C	150A	50	4

Note: Kindly replace 00 to 52 for 520VAC in the above mentioned ordering code for upto 75A.

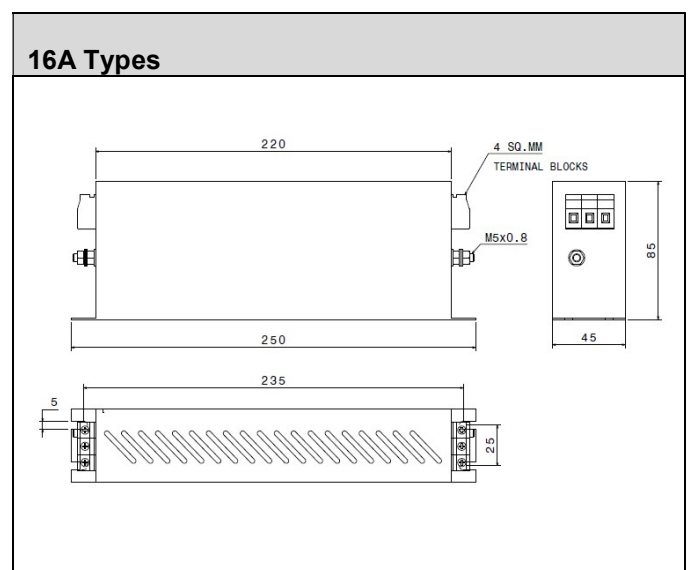
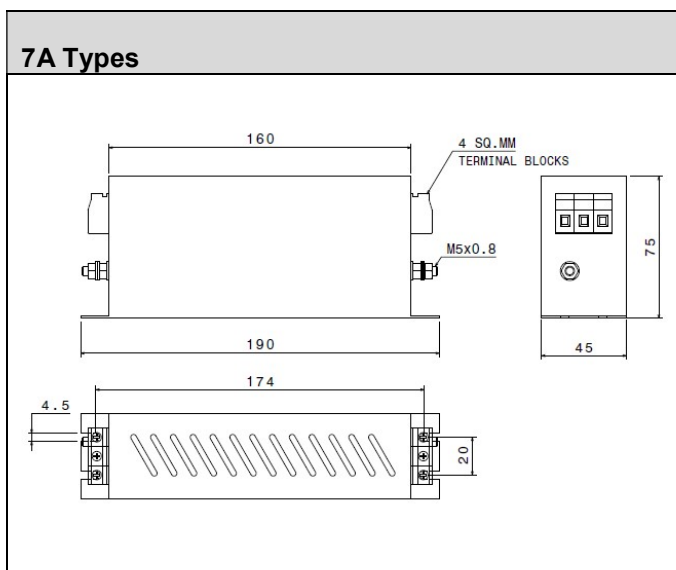
[Ex: For 7A 520VAC – S32DBS5207C]

For 100A & above kindly replace 0 by 5 for 520VAC.

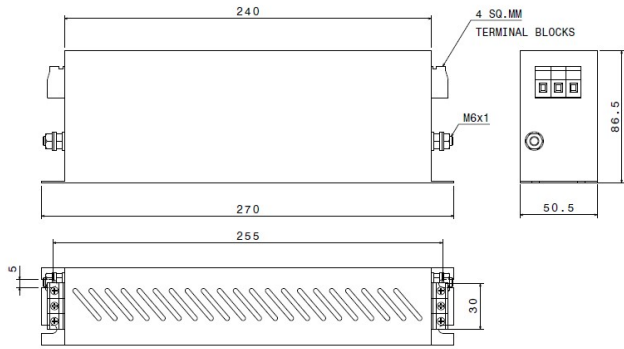
[Ex: S32DBS5100C for 520VAC]

***Filters with 520VAC are not covered under NEMKO**

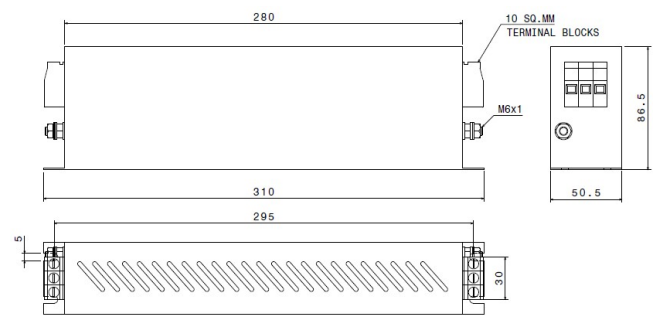
Mechanical Drawing



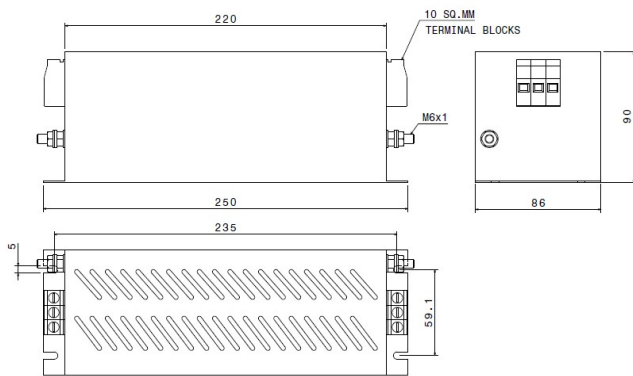
30A Types



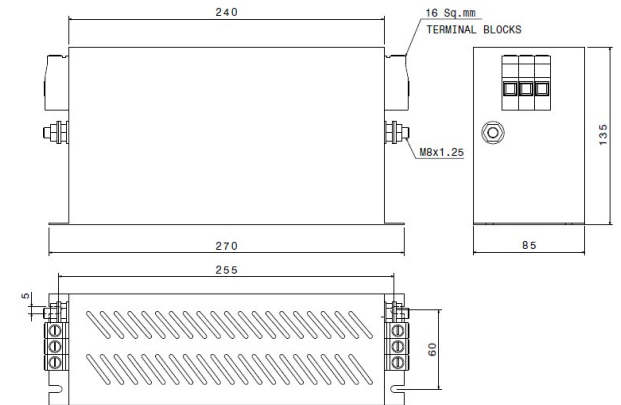
42A Types



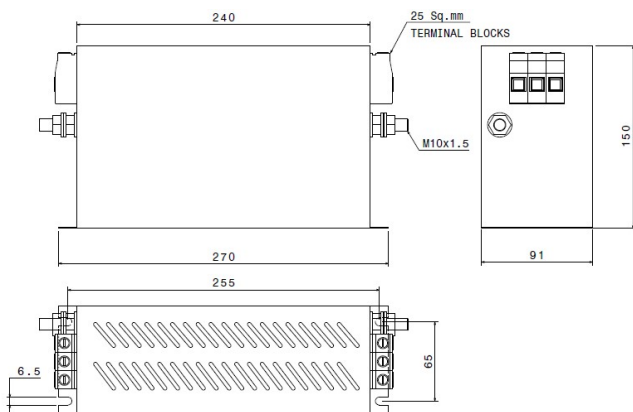
55A Types



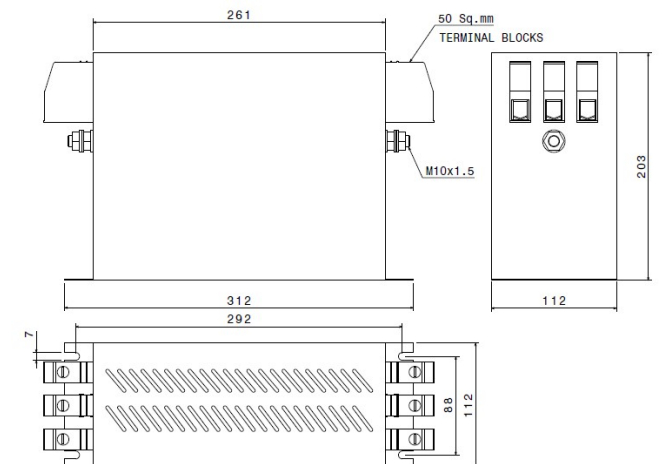
75A Types



100A Types

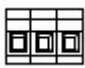


120A/150A Types



All dimensions in mm; Tolerances according to ISO2768-m

Connectors Cross Sections

	41	10	16	25	50
Wire Section (mm ²)	4mm ²	10 mm ²	16 mm ²	25 mm ²	50 mm ²
Wire Section (AWG)	12AWG	8 AWG	6 AWG	4 AWG	1/0 AWG
Wire Stripping	Max 10mm	max 13.5 mm	max 17 mm	max 17 mm	max 20 mm
Max Recommended Torque	0.5 Nm / 4.5 in.lbs	1.2 Nm / 10.8 in.lbs	2÷2.2 Nm / 18÷19.8 in.lbs	2 Nm / 18 in.lbs	6 Nm / 54 in.lbs

Insertion Loss – (Common Mode)

