

Three Phase EMI Filter – Book Shelf Type MF423 3 3D BS



Description

These series range of dual stage three phase high performance filters with book shelf design is designed for motor drive applications requiring minimum space and convenient installation with superior performance at significant interference levels.

Features

- 3 Phase filters for drives/invertors
- Compact/Light Weight
- Bookshelf Design
- High Performance
- 7A to 150A Current Rating



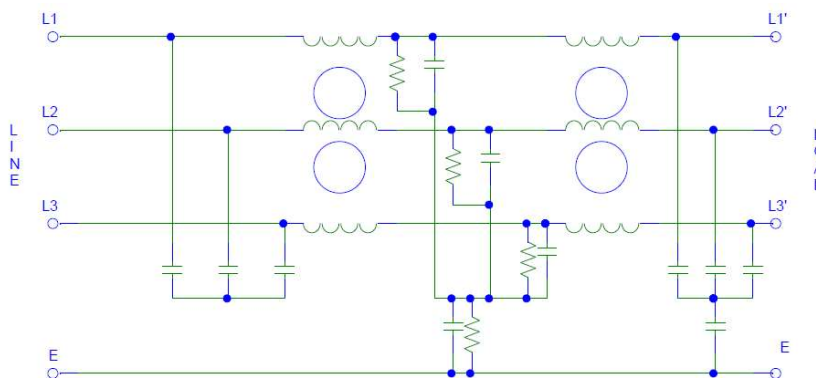
Applications

- AC/DC Drives
- UPS
- Fuel Cells
- Elevators

Approvals & Compliance




Typical circuit Diagram



Technical Specifications

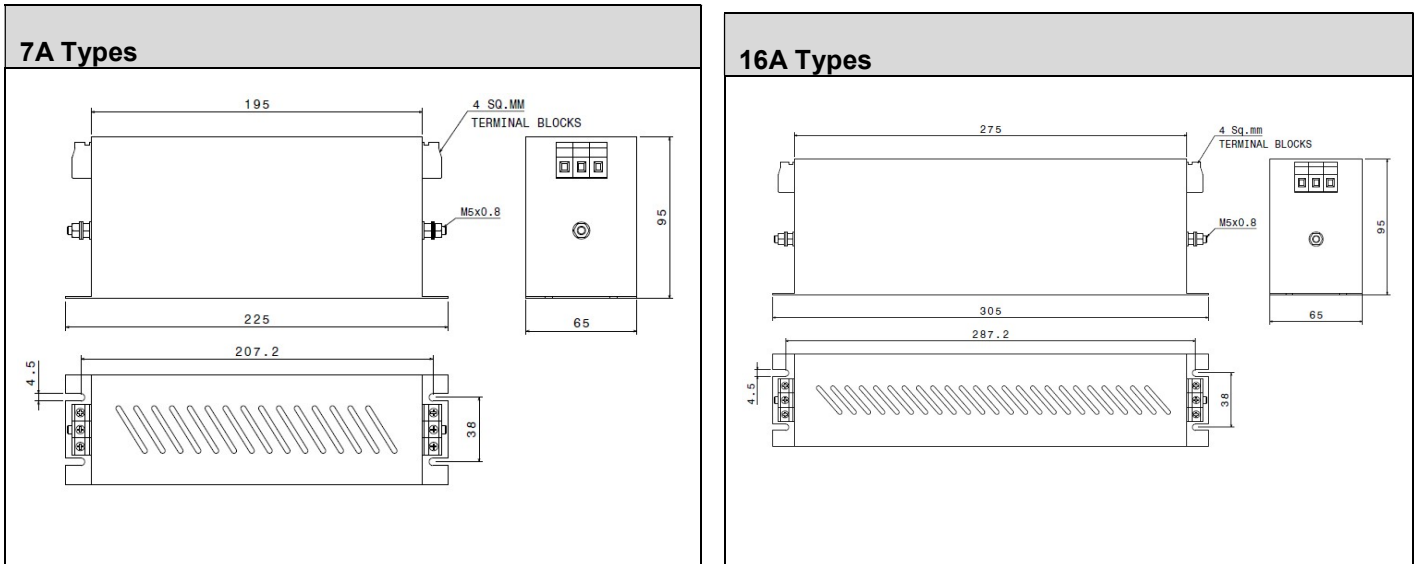
Maximum Continuous Operating Voltage	: 440/520VAC
Operating Frequency	: 50/60Hz
Current ratings	: 7A to 150A @40°C
High Potential test voltage	: L to G 2660Vdc for 1 Minute L to L 1950Vdc for 1 Minute
Overload Capability	: 135% of Rated current for 15 minutes
Design Corresponding to	: UL 60939-3, CSA 22.2 No.8-13 and IEC 60939
Flammability corresponding to	: UL 94 V-0
Temperature range	: -25°C to +85°C
Climatic Category	: 25/85/21
Enclosure Material	: Aluminium

Selection Table

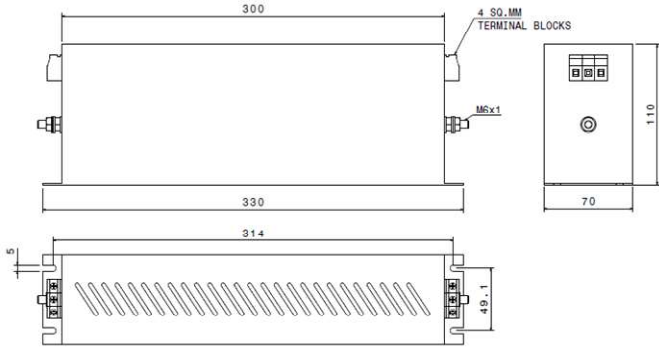
Part Number	Ordering Code (for 440VAC)	Ordering Code (for 520VAC)	Rated Current @40°C	Termination 	Weight (Kgs)
MF423 3 3D BS	S33DBS0007C	S33DBS5207C	7A	41	2
MF423 3 3D BS	S33DBS0016C	S33DBS5216C	16A	41	2
MF423 3 3D BS	S33DBS0030C	S33DBS5230C	30A	41	2
MF423 3 3D BS	S33DBS0042C	S33DBS5242C	42A	10	3
MF423 3 3D BS	S33DBS0055C	S33DBS5255C	55A	10	3
MF423 3 3D BS	S33DBS0075C	S33DBS5275C	75A	16	3
MF423 3 3D BS	S33DBS0100C	S33DBS5100C	100A	25	4
MF423 3 3D BS	S33DBS0120C	S33DBS5120C	120A	50	4
MF423 3 3D BS	S33DBS0150C	S33DBS5150C	150A	50	4

*Filters with 520VAC are not covered under NEMKO

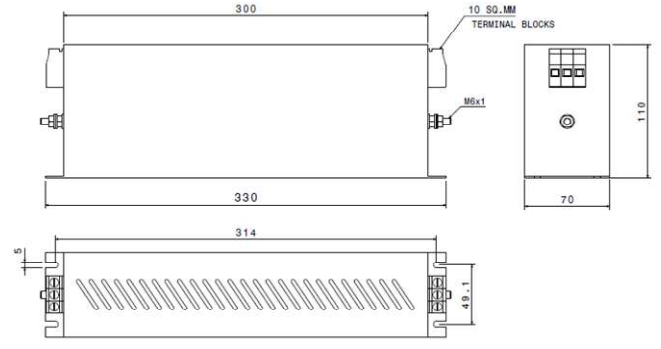
Mechanical Drawing



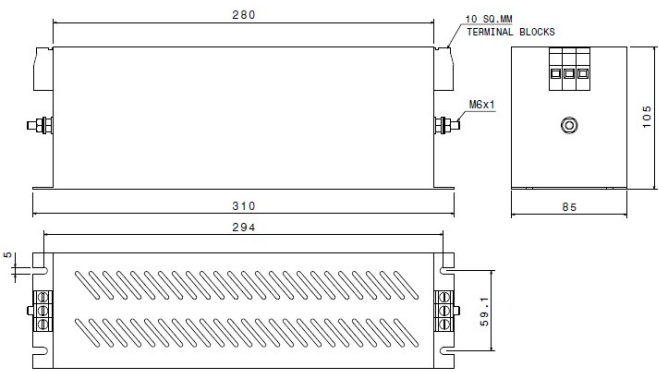
30A Type



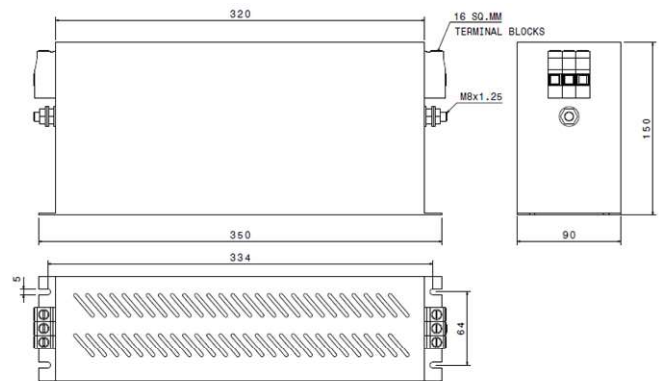
42A Type



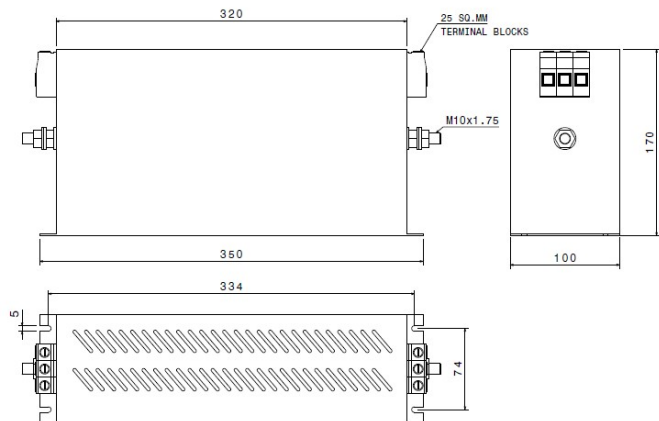
55A Types



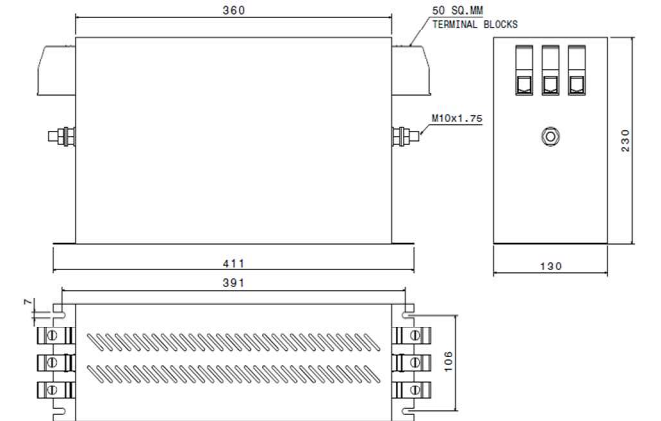
75A Types



100A Types




120A & 150A Types



All dimensions in mm; Tolerances according: ISO2768-m

Connectors Cross Sections

	41	10	16	25	50
Wire Section (mm ²)	4mm ²	10 mm ²	16 mm ²	25 mm ²	50 mm ²
Wire Section (AWG)	12AWG	8 AWG	6 AWG	4 AWG	1/0 AWG
Wire Stripping	Max 10mm	max 13.5 mm	max 17 mm	max 17 mm	max 20 mm
Max Recommended Torque	0.5 Nm / 4.5 in.lbs	1.2 Nm / 10.8 in.lbs	2÷2.2 Nm / 18÷19.8 in.lbs	2 Nm / 18 in.lbs	6 Nm / 54 in.lbs

Insertion Loss – (Common Mode)

