

Description

These series range of three phase filters with common mode and differential mode designed to use in wide range of applications to suppress high level electromagnetic interference.

Features

- 3 Phase filters for drives/invertors
- Superior Performance
- Chassis mounting 3 Phase Filter with neutral

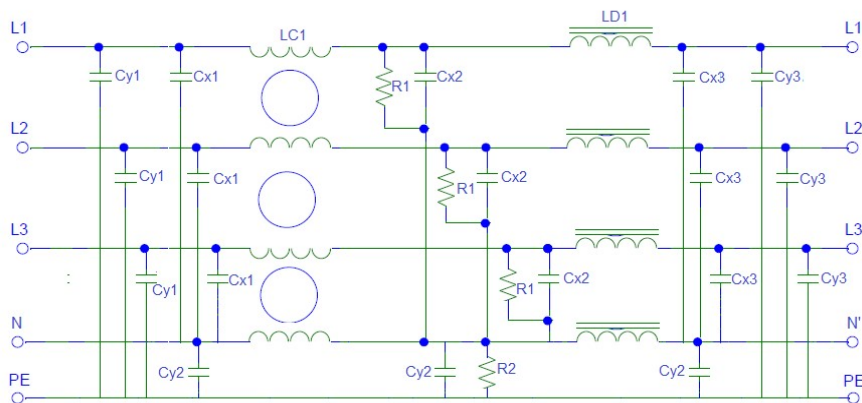
Applications

- Invertors
- AC/DC Drives
- SCR Drives
- Regenerative Drives
- HVAC

Approvals & Compliance




Typical circuit Diagram



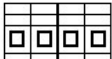
Technical Specifications

Maximum Continuous Operating Voltage	: 440VAC
Operating Frequency	: 50/60Hz
Current ratings	: 6A to 100A @40°C
High Potential test voltage	: L to G 2660Vdc for 1 Minute L to L 1950Vdc for 1 Minute
Overload Capability	: 135% of Rated current for 15 minutes
Design Corresponding to	: UL1283, CSA 22.2 No.8-13 and IEC 60939
Flammability corresponding to	: UL 94 V-0
Temperature range	: -25°C to +85°C
Climatic Category	: 25/85/21
Enclosure	: Aluminium

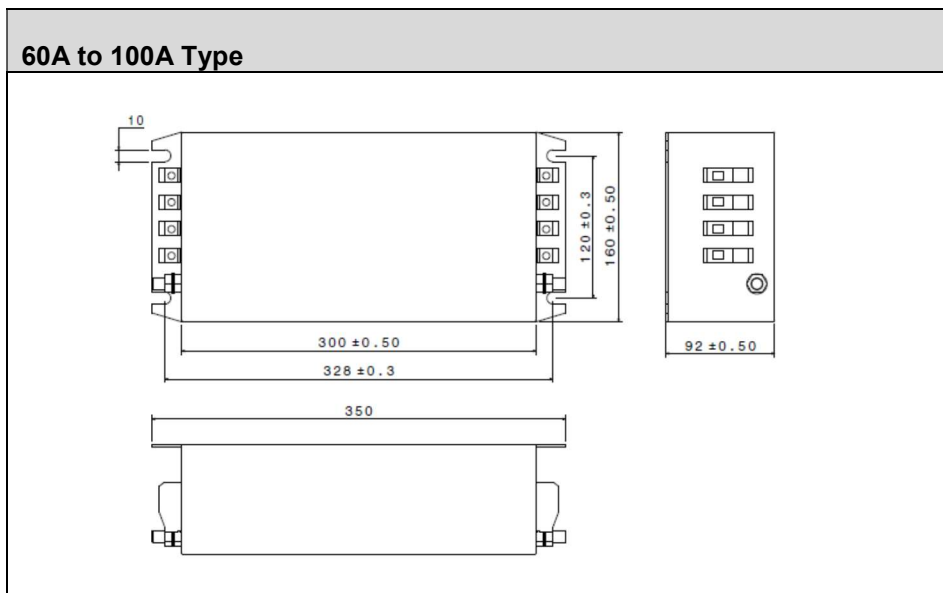
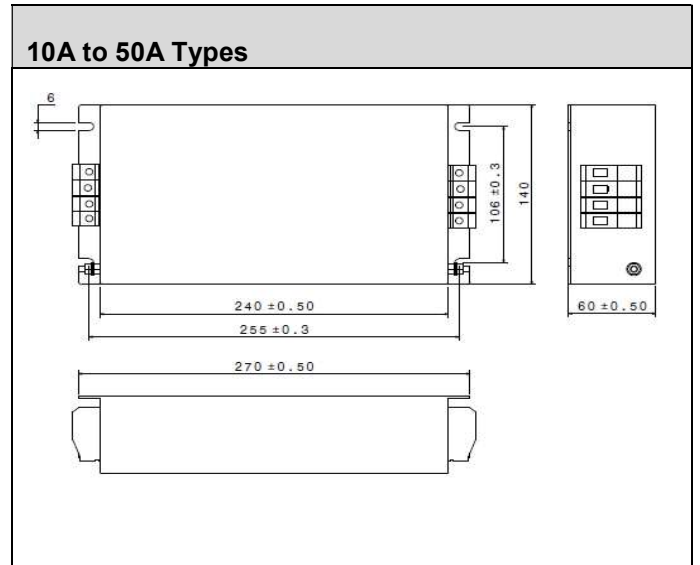
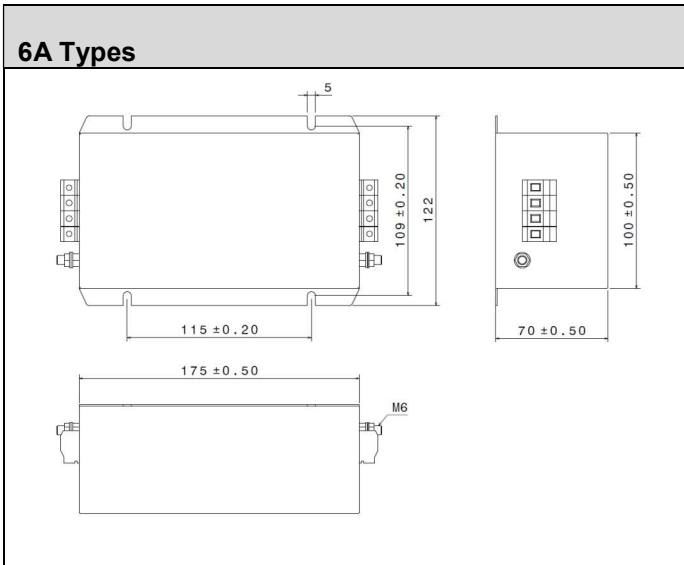
Selection Table

Part Number	Ordering Code	Rated Current @40°C	Termination 	Weight (Kgs)
MF423 4 3DD	S43DD00006C	6A	41	3
MF423 4 3DD	S43DD00008C	8A	41	4
MF423 4 3DD	S43DD00010C	10A	41	4
MF423 4 3DD	S43DD00012C	12A	41	4
MF423 4 3DD	S43DD00016C	16A	41	4
MF423 4 3DD	S43DD00020C	20A	41	4
MF423 4 3DD	S43DD00025C	25A	41	4
MF423 4 3DD	S43DD00036C	36A	10	4.5
MF423 4 3DD	S43DD00050C	50A	10	4.5
MF423 4 3DD	S43DD00060C	60A	16	9
MF423 4 3DD	S43DD00075C	75A	16	9
MF423 4 3DD	S43DD00100C	100A	25	10

Connectors Cross Sections

	41	10	16	25
Wire Section (mm ²)	4mm ²	10 mm ²	16 mm ²	25 mm ²
Wire Section (AWG)	12AWG	8 AWG	6 AWG	4 AWG
Wire Stripping	Max 10mm	max 13.5 mm	max 17 mm	max 17 mm
Max Recommended Torque	0.5 Nm / 4.5 in.lbs	1.2 Nm / 10.8 in.lbs	2÷2.2 Nm / 18÷19.8 in.lbs	2 Nm / 18 in.lbs

Mechanical Drawing



All dimensions in mm; Tolerances according to ISO2768-m

Insertion Loss

