

## Single phase - high performance

This range provides a very high level of attenuation in single and multi-stage circuit designs housed within compact chassis mount enclosures.

Particularly suited to suppressing interference generated by switch mode power supplies and frequency converter applications.

- Current ratings from 6A to 20A
- Very high symmetric and asymmetric attenuation
- Good medium to high frequency performance
- Single or two stage circuit designs
- Compact enclosure design



## Mechanical Specifications

Manufacture: case tin-plate steel, electrical components sealed with self-extinguishing resin.

Connections: faston 6.3 x 0.8mm

## Electrical Specifications

Rated voltage ( $V_R$ ): max 250V, 50/60Hz

Rated current ( $I_R$ ): referred to room temperature = 40°C

Leakage current ( $I_L$ ): at 220V, 50Hz, max value

Voltage test (2 s.): line to ground 2700Vdc or 1800Vac

line to line 1075Vdc

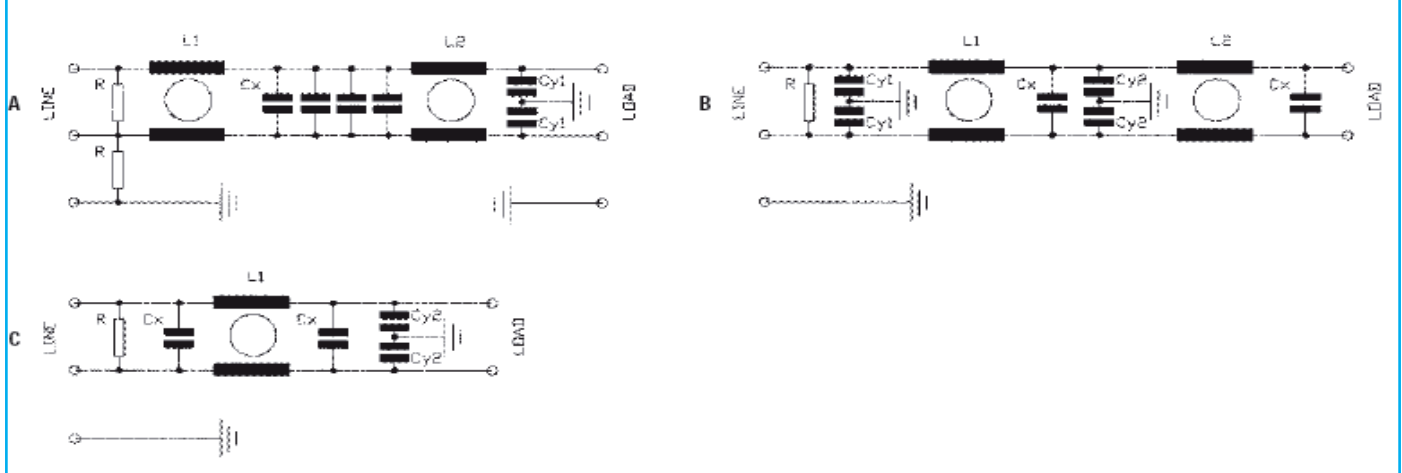
Climatic category: HPF (25/085/21);

Temperature range: -25°C to +85°C

## Filter Range

AI, AS type Code	$I_R$ (A)	$L_1$ (mH)	$L_2$ (mH)	$C_x$ ( $\mu$ F)	$C_{y1}$ (pF)	$C_{y2}$ (pF)	$I_L$ (mA)	R (M $\Omega$ )	Circ Diag	Case
FLLE2006AAS01	6	2x2.4	2x2.4	4x22	2x33000		3	2x0.62	A	A
FLLE2010AAI04	10	2x1.0	2x1.0	2x0.6	2x15000	2x2500	1.8	0.33	B	B
FLLE2010AAS01	10	2x1.3	2x1.3	4x22	2x33000		3	2x0.62	A	A
FLLE2016AAS01	16	2x0.96	2x0.96	4x22	2x33000		3	2x0.62	A	A
▲ FLLE2020AAI04	20	2x1.8		2x0.68	2x4700		0.5	0.24	C	C

## Circuit diagram



Approvals



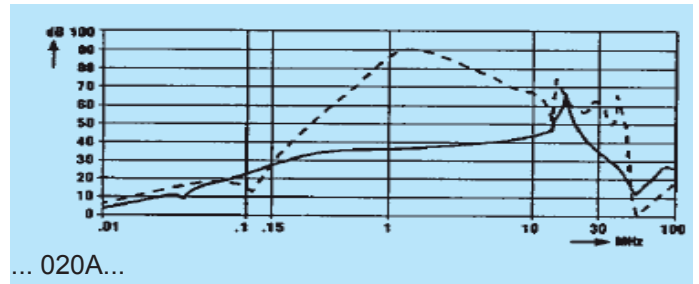
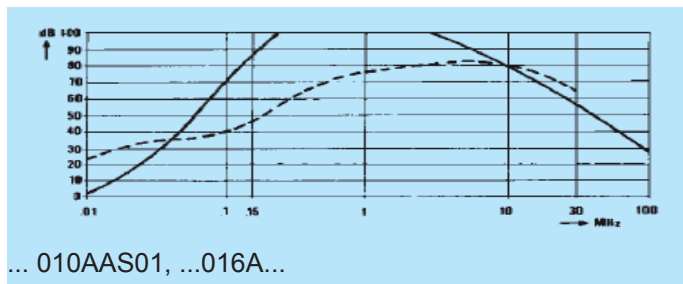
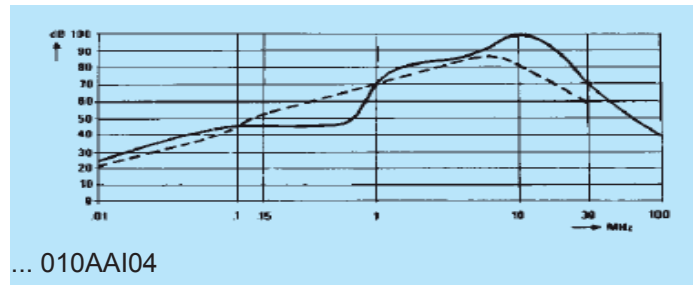
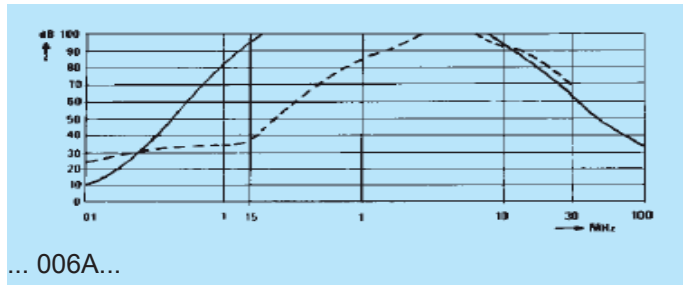
1283

▲ Where indicated

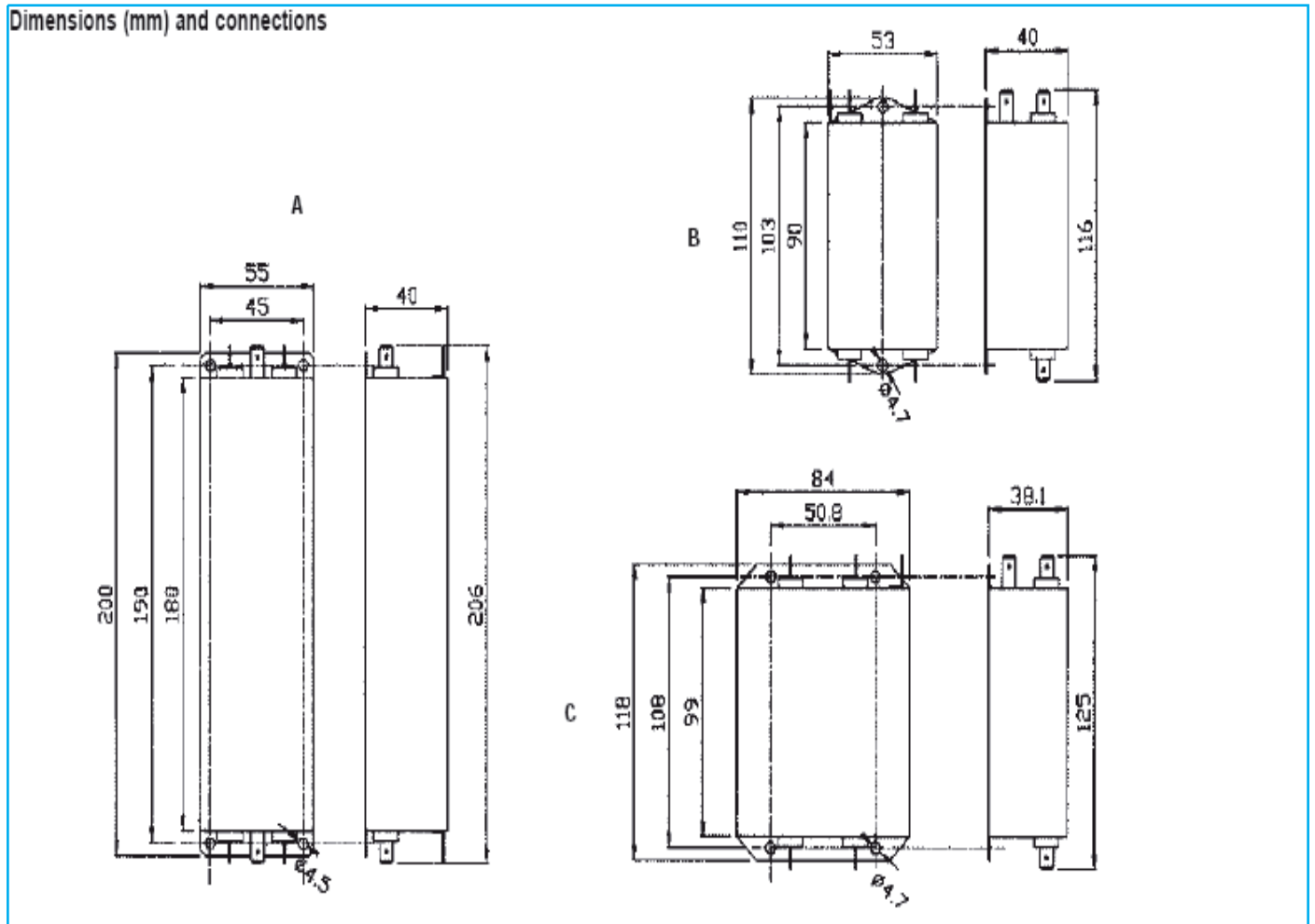
The Capacitance Company  
**KEMET**  
CHARGED!

## AS, AS type

Insertion loss (typical): — Asymmetrical (line to ground) - - - Symmetrical (line to line)



### Dimensions (mm) and connections

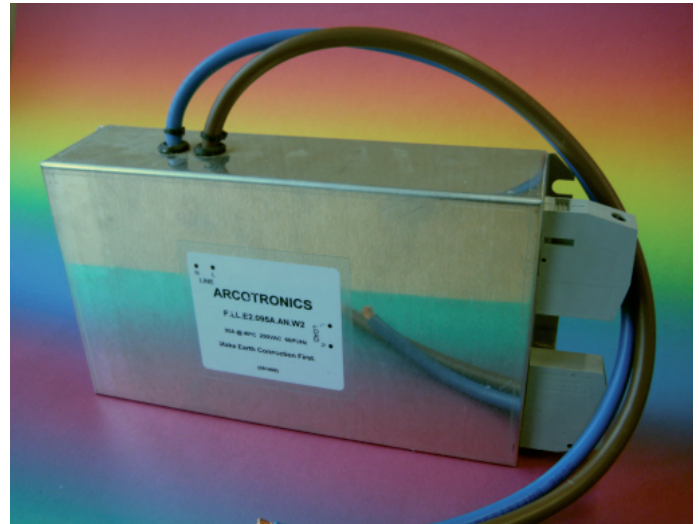


## High performance, general applications

These single phase filters combine high values of inductance and capacitance, maximising attenuation characteristics in the lower frequencies for both common mode and differential mode performance.

The relatively small package size of these products makes them suitable for a wide range of motor drive applications within the industrial environment.

- Current ratings from 8A to 63A
- High attenuation performance
- Optional termination styles
- Compact range of enclosures



## Mechanical Specifications

Manufacture: metal enclosure, internal components sealed with self-extinguishing resin.

Connections: terminal blocks to accept 4mm<sup>2</sup> cable earth: M6 threaded terminal.

Connections: terminal blocks to accept 10mm<sup>2</sup> cable earth: M6 threaded terminal.

Connections: faston 6.3 x 0.8mm ( $\leq 16A$ ) replace 'R1' at the end of code with 'B4' (optional)

## Electrical Specifications

Rated voltage ( $V_R$ ): 250Vac, 50/60Hz

Rated current ( $I_R$ ): referred to room temperature = 40°C

Leakage current ( $I_L$ ): at 230Vac, 50Hz, max value

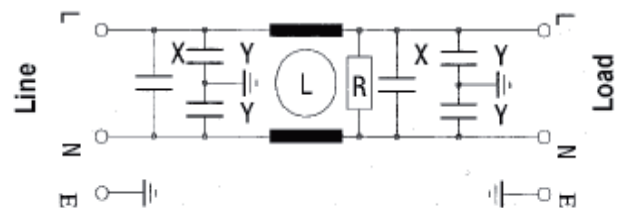
Voltage test (2 s.): line to ground 2700Vdc  
line to line 1700Vdc

Climatic category: HPF (25/085/21);  
Temperature range: -25°C to +85°C

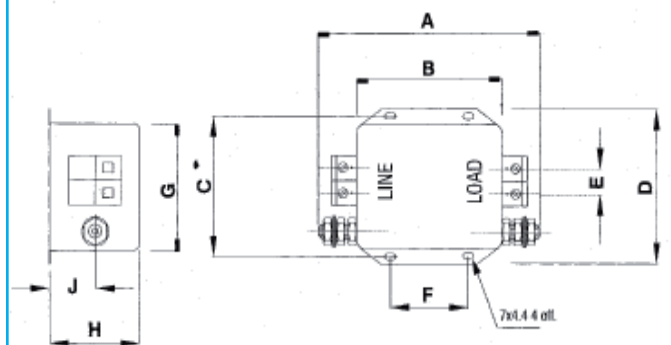
## Filter Range

Code	$I_R$ (A)	$I_L$ (mA)	$C_x$ ( $\mu$ F)	$C_y$ (nF)	L (mH)
FLLE2008AANRI	8	2x5.2	22+0.68	2x10+2x47	2x10
FLLE2012AANRI	12	2x5.2	22+1	2x10+2x47	2x7.5
FLLE2016AANRI	16	2x5.2	22+1	2x10+2x47	2x5
FLLE2020AANRI	20	2x5.6	22+1	2x10+2x47	2x3.2
FLLE2030AANRI	30	2x5.6	22+1	2x15+2x47	2x1.3
FLLE2036AANRI	36	2x5.6	22+1	2x15+2x47	2x1.3
FLLE2055AANRI	55	2x11.5	4.4+1	2x33+2x94	2x1
FLLE2063AANRI	63	2x11.5	4.4+1	2x33+2x94	2x1

## Circuit diagram



## Dimensions (mm) and connections



## Dimensions

Code	A	B	C	D	E	F	G	H	J
FLLE2008AANRI	131	99	95	105	10	51	85	40	16
FLLE2012AANRI	131	99	95	105	10	51	85	40	16
FLLE2016AANRI	131	99	95	105	10	51	85	40	16
FLLE2020AANRI	131	99	95	105	10	51	85	40	16
FLLE2030AANRI	148	99	95	105	10	51	85	57	19
FLLE2036AANRI	148	99	95	105	10	51	85	57	19
FLLE2055AANRI	219	170	113	129	10	115	100	60	20
FLLE2063AANRI	219	170	113	129	10	115	100	60	17

## AN type

Insertion loss (typical): — Asymmetrical (line to ground) - - - Symmetrical (line to line)

